

CROSLEY



Crosley Top Load Washer CAW45125LW

12 Wash Cycles
4.5 Cu. Ft. D.O.E.



Product Dimensions

Height	42.25"
Width	27.75"
Depth	27"

Other Features

Any Wash Cycle You Could Need

Whether you are washing bedding, winter clothes, delicates or a typical wash-day load, this Crosley washer has the perfect the wash cycle to fit your family's needs.

Soft-Close Glass Top Lid

Take your laundry look up a notch with the new glass lid addition. Complete with a lid locking system to keep out the little hands around your home.

Signature Features

Stainless Steel Tub

This wash basket is designed with smooth spiral cut stainless steel to prevent even the most delicate fabric from snagging.

4.5 Cu. Ft. Capacity

No need to go to the laundromat to wash bulky items. Get the extra space you need with this 4.5 cu. ft. capacity washer.

360 Wash Action Agitator

Take on your toughest loads. The two-way wash action spiral agitator works with the wash basket to provide the wash action and cleaning performance to give your clothes the right clean.

Automatic Load Size Sensing Technology

Your washer will automatically gauge the level of water needed for the current load size. No more worrying about the right levels for the right load.



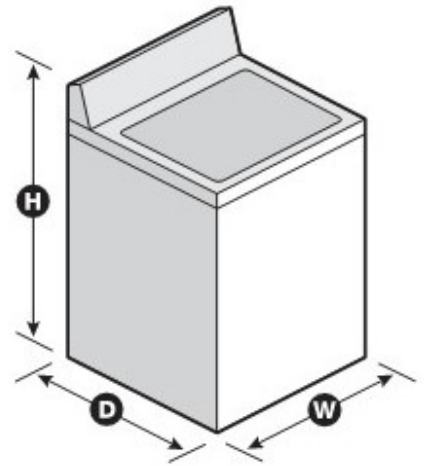
Classic
White

www.crosley.com

Top Load Washer

CAW45125LW 4.5 Cu. Ft. D.O.E.

Description	CROSLEY	CAW45125LW
Dimensions	DOE Capacity - US (cu ft, J2)	4.5
	Height with Lid Open @ min foot height (in.)	55 3/4
	Height @ minimum/maximum height (in.)	41 1/2 / 42 1/4
	Width / Depth (in.)	27 3/4 / 27.0
Exterior	Adjustable Feet	Yes
	Lid/Door Finish	Slow-close Glass Lid
	Lid/Door Lock	Yes
Interior Attributes/Details	Automatic Load Size Sensing Technology	Yes
	Dispense System	Fabric Softener & Bleach
	Water faucet	Yes
	Suspension System w/out of balance sensing	4 Springs 4 Dampers Liquid filled upper balance ring
	Drum Material	Stainless Steel
	Hoses Included (list)	Drain Hose
	Motor Horsepower / Drive Type	1/3 HP / Belt Drive
	Wash Action	Agitator
	Maximum Spin Speed (RPM)	770
	Controls Attributes	Type of Cycle Control
Feedback-Status Indicators (List)		Sensing/Fill, Soaking., Washing, Done
LED Color		White
Cycles	Number of Wash Cycles (combinations)	12
	Cycle 1	Quick Wash
	Cycle 2	Colors
	Cycle 3	Whites
	Cycle 4	Heavy Duty
	Cycle 5	Normal - Heavy Soil
	Cycle 6	Normal - Medium Soil
	Cycle 7	Normal - Light Soil
	Cycle 8	Delicates
	Cycle 9	Bulky
	Cycle 10	Towels
	Cycle 11	Drain & Spin
Cycle 12	Clean Washer with affresh(R)	
Modifiers	5 Temperature Selections (List) - with ATC	Tap Cold, Cold, Cool, Warm, Hot
	3 Rinse Options (List) - All Cold Water	1 Rinse / 1 Rinse w/Softener / Extra Rinse
	2 Water Levels (list)	Auto / Deep Water
Regulatory Compliance	DOE Energy Compliant	2018
	Energy Consumption (kWh/year)	290
	IWF / IMEF	6.5 / 1.57
	UL Certified	Yes
Electrical Requirements	Circuit Required / Max Amperage Draw	15A / 6 A - 120V @ 60 hz
Pair Relationships	Matching Dryer(s) Model #	CED7011LW / CGD7011LW



NOTE: For planning purposes only. Always consult local and national electric and plumbing codes. Refer to Product Installation

